



ExiSAFE Panic and Emergency Exit Hardware



ASSA ABLOY

Trusted by **Professionals**

Experience a safer
and more open world



UNION Panic & Emergency Exit Hardware

Since 1840 UNION has been setting the standard in door hardware. Architects, specifiers, project managers, OEMs and property owners have relied on UNION to keep people and assets safe from intruders and disaster.

You'll find UNION door hardware across the world, providing unrivalled expertise and quality that only products designed, tested and made in the United Kingdom can bring.

Make the professional choice. Make it UNION.



ExiSAFE. Make A Safe Exit.

ExiSAFE from UNION is a comprehensive range of panic and emergency exit hardware for installation in public buildings and private facilities. Conceived to provide effortless and fast escape, and proven through exhaustive testing to over 200,000 cycles to make sure you have exit doors you can rely on.

Perfected during extensive research with architects and specifiers you can be confident ExiSAFE delivers excellent performance, serious durability and timeless style. And with independent certification by Certifire along with CE Marking as standard across all our ExiSAFE range, you can be assured of a quality solution that is designed, tested and manufactured in the UK.

With ExiSAFE you set the standard for panic and emergency exit hardware.

Quality You Can Rely On

When you specify ExiSAFE you are choosing one of the best known names in door hardware. ExiSAFE delivers UK quality and engineering, backed by a 10-year guarantee.

Certified To Deliver Safety

Safety you can rely on - that's the focus for ExiSAFE. Featuring the Certifire independent testing quality mark, fire rating and CE marked for safety to ensure peace of mind, ExiSAFE provides the safe exit you expect with a UK designed and manufactured solution.

Tested Beyond Endurance

ExiSAFE is more than stylish. It's tough. Built on decades of experience in panic exit hardware, ExiSAFE has been tested to over 200,000 cycles. With ExiSAFE, you'll be specifying a solution that meets either BS EN 179 or BS EN 1125 for dependable security and safety.

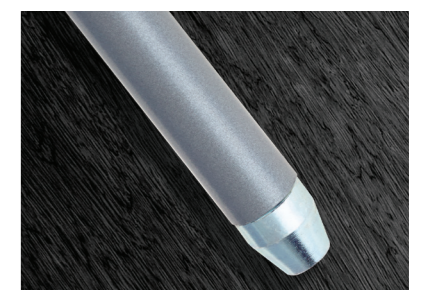
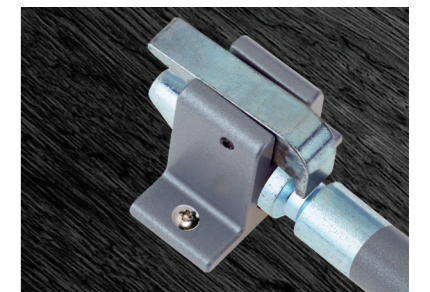
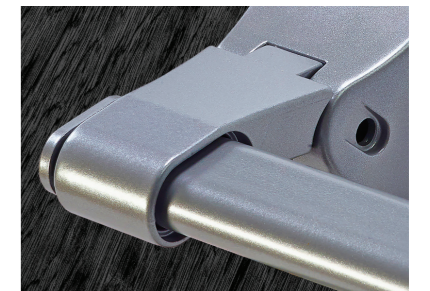
Flexible Installation

Fitting ExiSAFE is simple and speedy. Templates speed up drilling and measuring while the universal fit design allows you to install on left or right handed doors, with generous full length rods and bars to fit a wide variety of door dimensions. Plus, with a full spares back-up from UNION you can be confident you will be choosing a Panic Exit solution that will be easy to keep in perfect working order for years to come.



Further information please visit

www.uniononline.co.uk/exisafe or contact us on **0845 223 2124**.



ExiSAFE in detail

Engineered to combine exceptional quality with legendary toughness, ExiSAFE combines tough security with convenient access control so you can Fit and Forget with confidence.



Silver finish to compliment zinc, aluminium or stainless steel furniture

Reversible latch bolt for universal fitting

Automatic top trip mechanism holds back shoot bolts during opening and closing sweep to protect frame and floor from damage

Fixings hidden by covers to prevent tampering

Slimline design projects less than 100mm, reducing risk of snagging on clothes or objects passing nearby

Anti-thrust feature in non-handed unit stops bolts being forced out of their keeps



Outside Access Devices fully tested with entire ExiSAFE range



Non-handed push pad for emergency applications

Push bars clamped with screw to prevent movement or fallout

Closed arm design reduces risk of finger trapping

Bolt rods can be cut on-site for a perfect fit

Push bars can be cut on-site to suit door width

FIT AND FORGET.



ExiSAFE CE851PB Panic Bolt



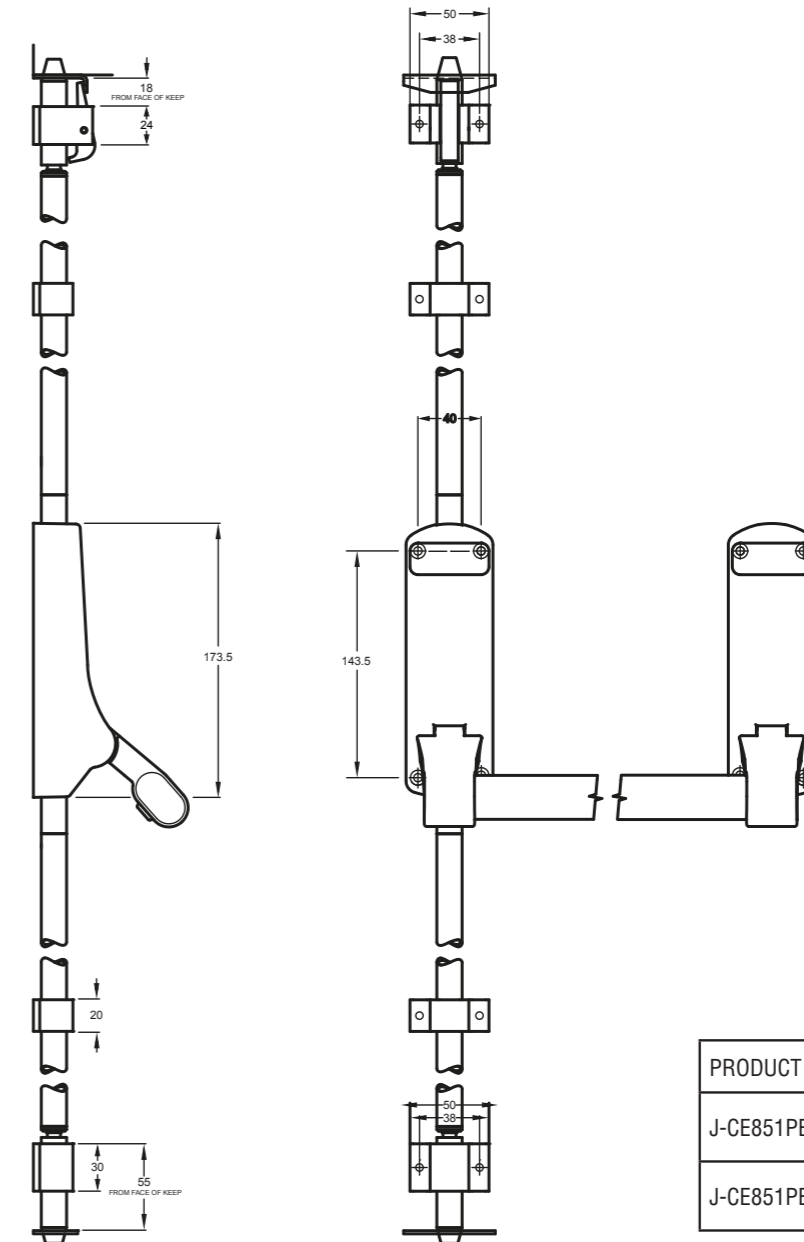
ExiSAFE CE851PB Panic Bolt

ExiSAFE CE851PB is an elegant, sturdy panic bolt for single or double door applications. Automatic top trip and bottom keep plate are supplied as standard while the main body is fitted with an anti-thrust device, preventing leverage of both the top and bottom shoot bolts from their sockets.

- Universal handing
- Fire rated for use on timber and metal doors
- Surface mounted
- Closed arm design
- Timber or metal fixings variants available



Classification No.	3	7	6	B	1	3	2	2	A	A
EN 1125										



PRODUCT CODE	DESCRIPTION
J-CE851PB-SIL	ExiSAFE Panic Bolt for Timber Doors
J-CE851PBM-SIL	ExiSAFE Panic Bolt for Metal Doors






ExiSAFE CE852DDREB for Rebated Double Doors



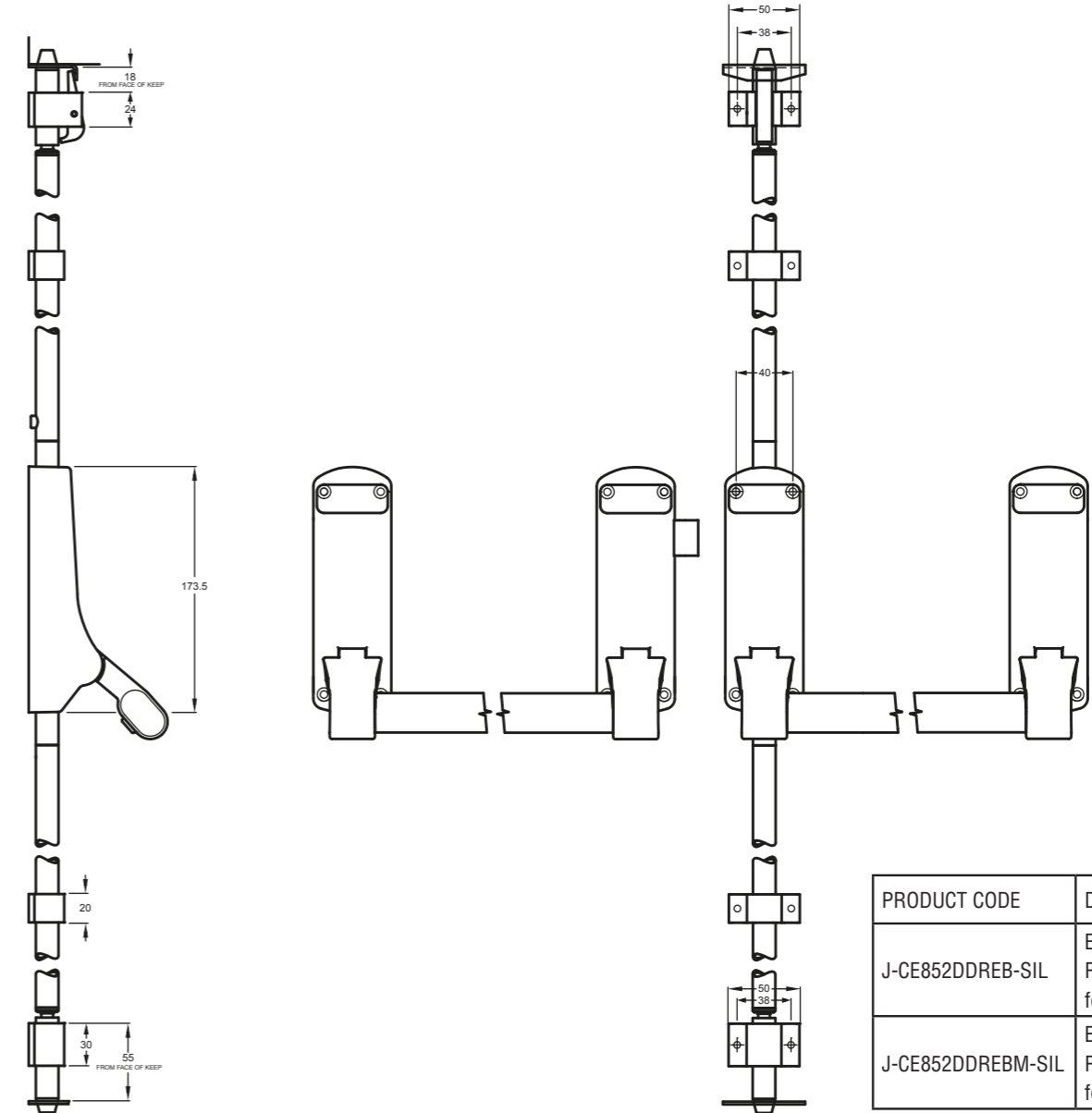
ExiSAFE CE852DDREB for Rebated Double Doors

The ExiSAFE CE852DDREB for rebated double doors is a complete package consisting of a single panic bolt (CE851PB) and a single panic latch (CE853PL). Automatic top trip, bottom keep plate and centre box keep are supplied as standard while the main body is fitted with an anti-thrust device, preventing leverage of both the top and bottom shoot bolts from their sockets. The latch can be easily re-handed on-site.

- Universal handing
- Fire rated for use on timber and metal doors
- Surface mounted
- Closed arm design
- Timber or metal fixings variants available

Classification No.	3	7	6	B	1	3	2	2	A	A
EN 1125										



PRODUCT CODE	DESCRIPTION
J-CE852DDREB-SIL	ExiSAFE Panic Set for Rebated Double Doors for Timber Doors
J-CE852DDREBM-SIL	ExiSAFE Panic Set for Rebated Double Doors for Metal Doors

ExiSAFE CE853PL Panic Latch



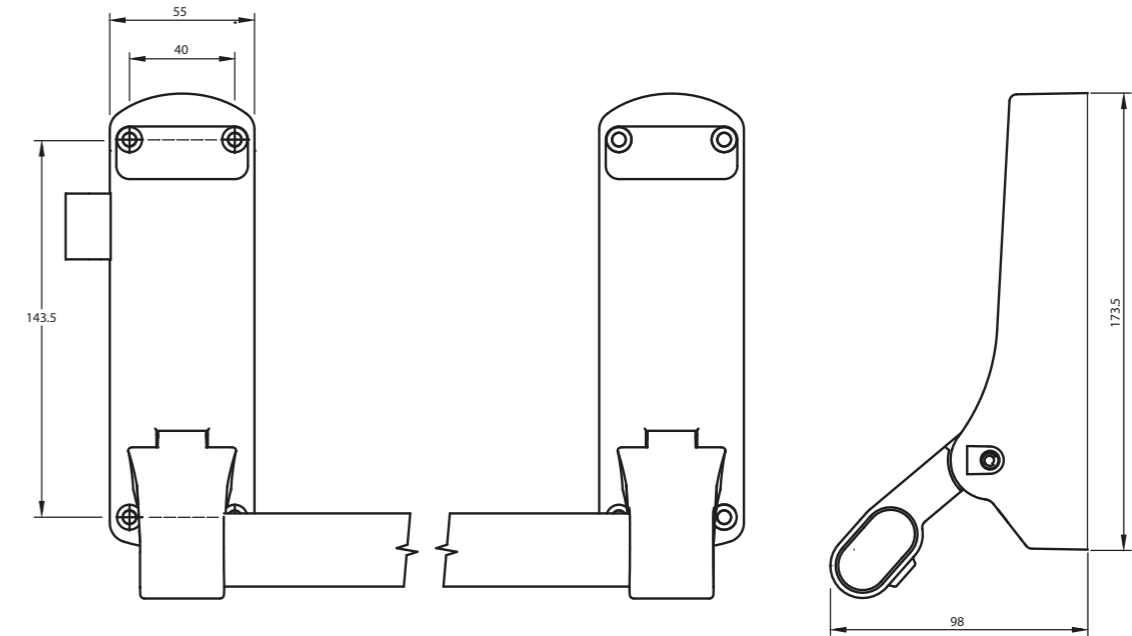
ExiSAFE CE853PL Panic Latch

ExiSAFE CE853PL is a surface mounted panic latch for both single or double door applications. Depressing the push bar allows safe and fast exit, whilst keeping a building secure from intruders.

- Universal handing
- Fire rated for use on timber and metal doors
- Surface mounted
- Closed arm design
- Timber or metal fixings variants available



Classification No.	3	7	6	B	1	3	2	2	A	A
EN 1125										



PRODUCT CODE	DESCRIPTION
J-CE853PL-SIL	ExiSAFE Reversible Panic Latch for Timber Doors
J-CE853PLM-SIL	ExiSAFE Reversible Panic Latch for Metal Doors

ExiSAFE CE854EL Push Pad Emergency Latch



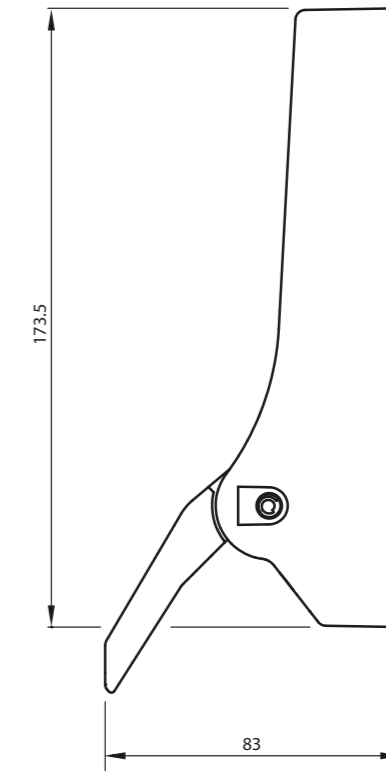
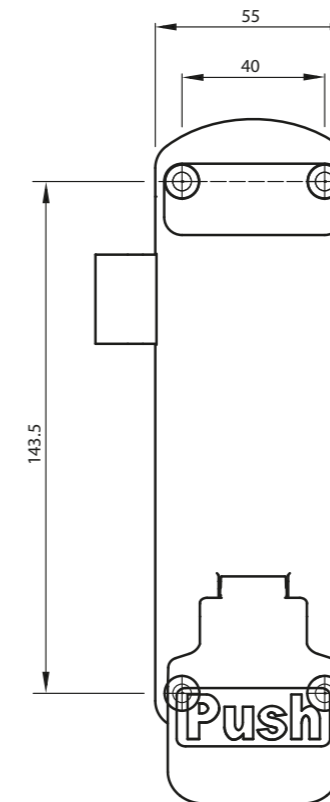
ExiSAFE CE854EL Push Pad Emergency Latch

ExiSAFE CE854EL is a surface mounted emergency latch for both single or double door applications. Depressing the push pad allows safe and fast exit in the event of an emergency, whilst keeping a building secure from intruders.

- Universal handing
- Fire rated for use on timber and metal doors
- Surface mounted
- Closed arm design
- Timber or metal fixings variants available



Classification No.	3	7	6	B	1	3	4	2	B	A
EN 179										



PRODUCT CODE	DESCRIPTION
J-CE854EL-SIL	ExiSAFE Push Pad Emergency Latch for Timber Doors
J-CE854ELM-SIL	ExiSAFE Push Pad Emergency Latch for Metal Doors

ExiSAFE CE858EB Push Pad Emergency Bolt



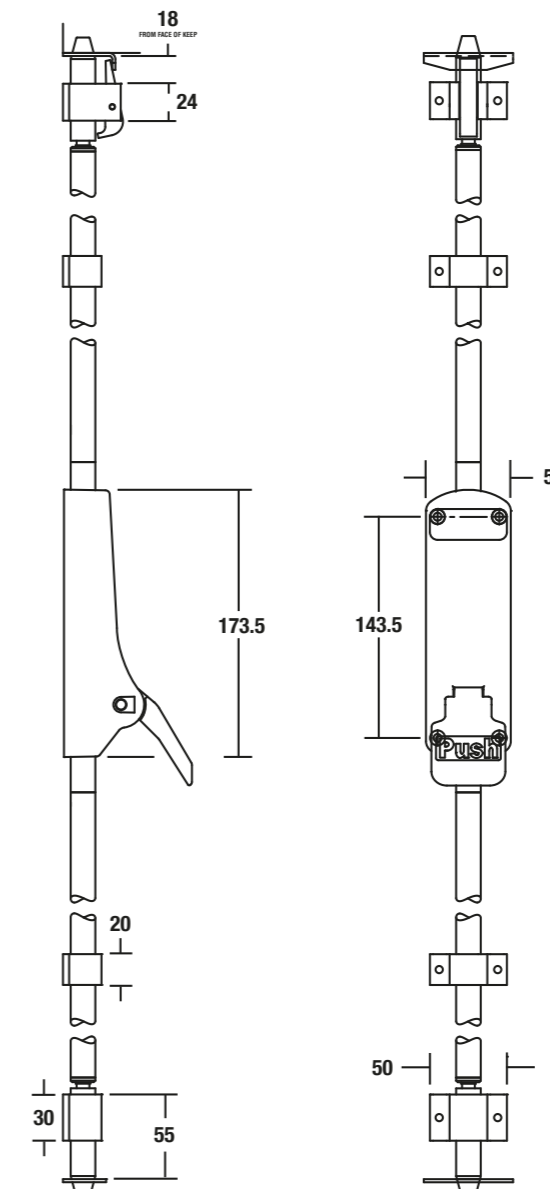
ExiSAFE CE858EB Push Pad Emergency Bolt

ExiSAFE CE858EB combines style with durable function as an emergency bolt for single or double door applications. Automatic top trip and bottom kepp plate are supplied as standard, while the main body is fitted with an anti-thrust device, preventing leverage of both the top and bottom shoot bolts from their sockets.

- Universal handing
- Fire rated for use on timber and metal doors
- Surface mounted
- Closed arm design
- Timber or metal fixings variants available



Classification No.	3	7	6	B	1	3	4	2	B	A
EN 179										



PRODUCT CODE	DESCRIPTION
J-CE858EB-SIL	ExiSAFE Push Pad Emergency Bolt for Timber Doors
J-CE858EBM-SIL	ExiSAFE Push Pad Emergency Bolt for Metal Doors

ExiSAFE CE8550AD Outside Access Device



ExiSAFE CE8550AD Outside Access Device

ExiSAFE CE8550AD Outside Access Devices (OAD) are designed to work perfectly with the panic and emergency exit solutions. Certified for fire doors, included in EN 179 and EN 1125 tests and available with cylinders for instant security, ExiSAFE OADs complete your escape door solution.

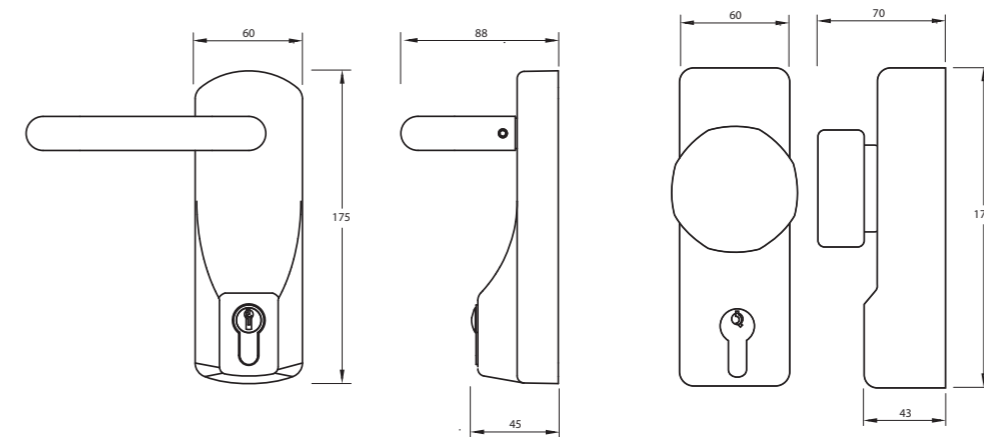
CE8550ADL

The easy to use lever operated OAD that meets the dimensional requirements of BS8300 for barrier-free access to all building users. The unit is supplied with 3 keys, with the option of master keyed 45mm Euro profile cylinder for additional security. The CE8550ADL lever OAD uses a shear screw fitting designed to break under excessive force when locked, protecting the building.

CE8550ADK

The traditional knob design is more compact and less obtrusive on a door face, which reduces the risk of clothes or items in transit being snagged. CE8550ADK delivers exceptional security for exit doors with the option of using master keyed 40mm Euro profile cylinder for additional security.

- Universal fit
- Fire rated for use on timber and metal doors
- Surface mounted on the outside of the door using concealed machine screws
- Lever is supplied with special shear screw designed to break under excessive force
- Supplied as standard for doors up to 45mm thick (knob OAD) or 55mm thick (lever OAD)
- Longer spindles and screws are available on request
- Dual timber and metal fixings
- Included in EN 179 and EN 1125 testing of ExiSAFE products



PRODUCT CODE	DESCRIPTION
J-CE8550ADLC-SIL	ExiSAFE Lever OAD with cylinder
J-CE8550ADL-SIL	ExiSAFE Lever OAD
J-CE8550ADKC-SIL	ExiSAFE Knob OAD with cylinder
J-CE8550ADK-SIL	ExiSAFE Knob OAD

Product features

Single doors

Product No.	Description	Max. Single Door Width (mm)	EN Standard		Bolt Style		Steel Door Fixings	CE Mark	Certifire Tested	Fire Rated		Locking Points	Finish	Warranty
			179 (pad)	1125 (bar)	Shoot	Latch				Timber FD120	Metal FD240			
J-CE851PB-SIL	ExiSAFE Panic Bolt for Timber Doors	2440 x 1230		●	●		●	●	●	●		2	SIL	10 YEARS
J-CE851PBM-SIL	ExiSAFE Panic Bolt for Metal Doors	2440 x 1230		●	●		●	●	●	●		2	SIL	10 YEARS
J-CE853PL-SIL	ExiSAFE Reversible Panic Latch for Timber Doors	2440 x 1230		●		●	●	●	●	●		1	SIL	10 YEARS
J-CE853PLM-SIL	ExiSAFE Reversible Panic Latch for Metal Doors	2440 x 1230		●		●	●	●	●	●		1	SIL	10 YEARS
J-CE854EL-SIL	ExiSAFE Push Pad Emergency Latch for Timber Doors	2440 x 1230	●			●	●	●	●	●		1	SIL	10 YEARS
J-CE854ELM-SIL	ExiSAFE Push Pad Emergency Latch for Metal Doors	2440 x 1230	●			●	●	●	●	●		1	SIL	10 YEARS
J-CE858EB-SIL	ExiSAFE Push Pad Emergency Bolt for Timber Doors	2440 x 1230	●		●		●	●	●	●		2	SIL	10 YEARS
J-CE858EBM-SIL	ExiSAFE Push Pad Emergency Bolt for Metal Doors	2440 x 1230	●		●		●	●	●	●		2	SIL	10 YEARS

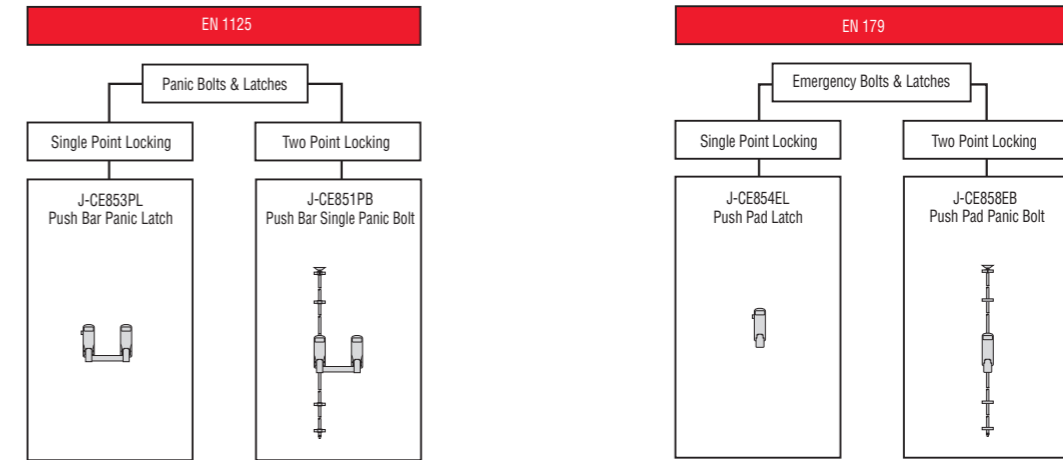
Rebated double doors

Product No.	Description	Max. Single Door Width (mm)	EN Standard		Bolt Style		Steel Door Fixings	CE Mark	Certifire Tested	Fire Rated		Locking Points	Finish	Warranty
			179 (pad)	1125 (bar)	Shoot	Latch				Timber FD120	Metal FD240			
J-CE852DDREB-SIL	ExiSAFE Panic Set for Rebated Double Doors for Timber Doors	2440 x 1230		●	●	●	●	●	●	●		3	SIL	10 YEARS
J-CE852DDREBM-SIL	ExiSAFE Panic Set for Rebated Double Doors for Metal Doors	2440 x 1230		●	●	●	●	●	●	●		3	SIL	10 YEARS

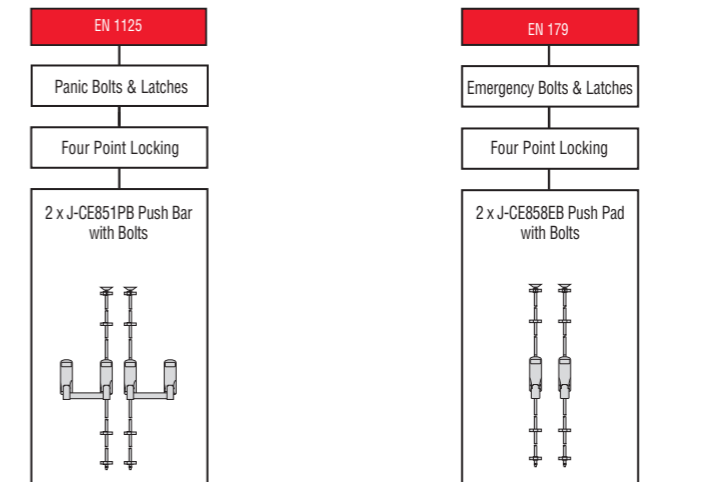
Outside Access Device

Product No.	Description	Access Type		UNION Cylinder + 3 keys	Part of CE Mark Test	Part of Certifire Approval	Fire Rated		BS 8300 Compliant	Finish	Warranty
		Knob	Lever				Timber FD120	Metal FD240			
J-CE855OADLC-SIL	ExiSAFE Lever OAD with cylinder		●	●	●	●	●	●	●	SIL	10 YEARS
J-CE855OADL-SIL	ExiSAFE Lever OAD		●		●	●	●	●	●	SIL	10 YEARS
J-CE855OADKC-SIL	ExiSAFE Knob OAD with cylinder	●		●	●	●	●	●		SIL	10 YEARS
J-CE855OADK-SIL	ExiSAFE Knob OAD	●			●	●	●	●		SIL	10 YEARS

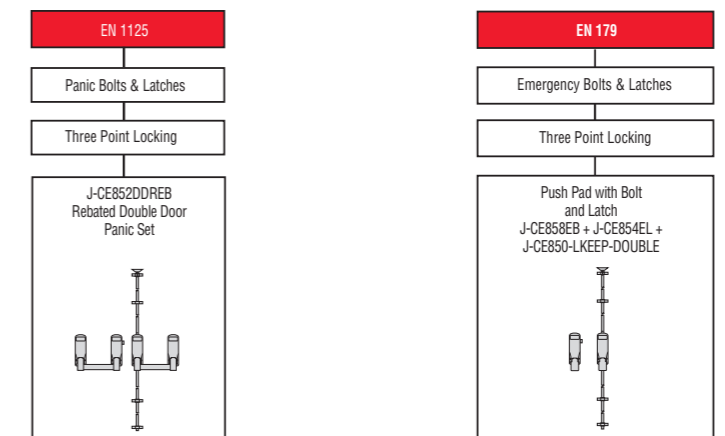
Single doors



Non-rebated double doors



Rebated double doors





The ASSA ABLOY Group is the global leader in access solutions. Every day we help people feel safe, secure and experience a more open world.

ASSA ABLOY

ASSA ABLOY Opening Solutions UK & Ireland
Door Hardware Group
School Street, Willenhall
West Midlands
WV13 3PW
Tel: 0845 223 2124
Email: info@uniononline.co.uk
Web: www.uniononline.co.uk

